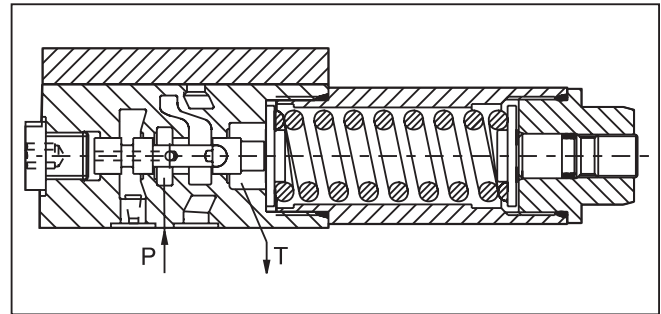
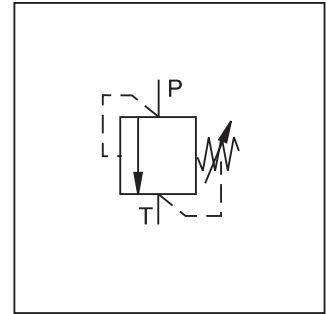


**General Description**

Series VS pressure relief valve is a direct operated spool valve for subplate mounting with internal drain to port T. The connection and function is according to ISO 6264.

**Specifiactions**

<b>Size</b>	NFPA D03 / NG6
<b>Mounting Interface</b>	ISO 6264
<b>Mounting Position</b>	Unrestricted
<b>Ambient Temperature Range</b>	-20°C to +70°C (-4°F to +158°F)
<b>Working Pressure</b>	Port P: 350 Bar (5075 PSI) Port T: depressurized
<b>Pressure Range</b>	25 Bar (363 PSI) 64 Bar (928 PSI) 160 Bar (2320 PSI) 210 Bar (3045 PSI) 350 Bar (5075 PSI)
<b>Nominal Flow</b>	25 LPM (6.6 GPM)
<b>Pressure Fluid</b>	Hydraulic oil as per DIN 51524 ... 525
<b>Fluid Temperature Recommended Permitted</b>	+30°C to +50°C (+86°F to +122°F) -20°C to +70°C (-4°F to +158°F)
<b>Viscosity Recommended Permitted</b>	30 to 50 cSt/mm <sup>2</sup> /s (139 to 232 SSU) 20 to 380 cSt / mm <sup>2</sup> /s (93 to 1761 SSU)
<b>Filtration</b>	ISO 4406 (1999), 18/16/13



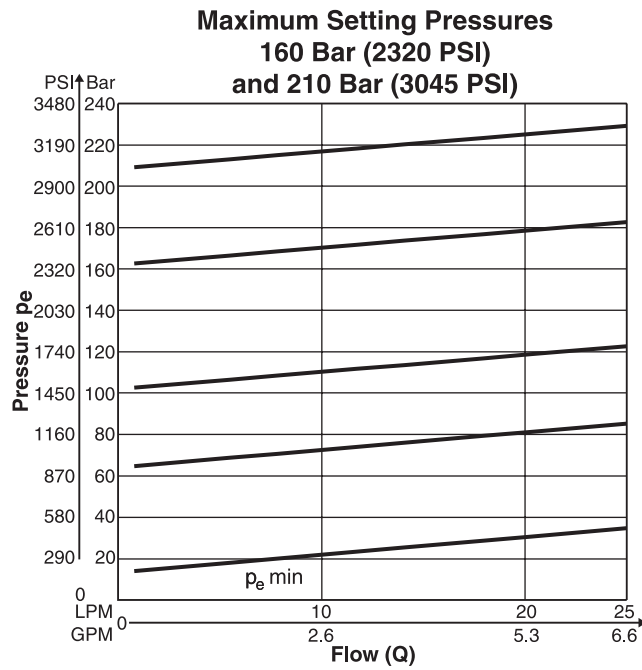
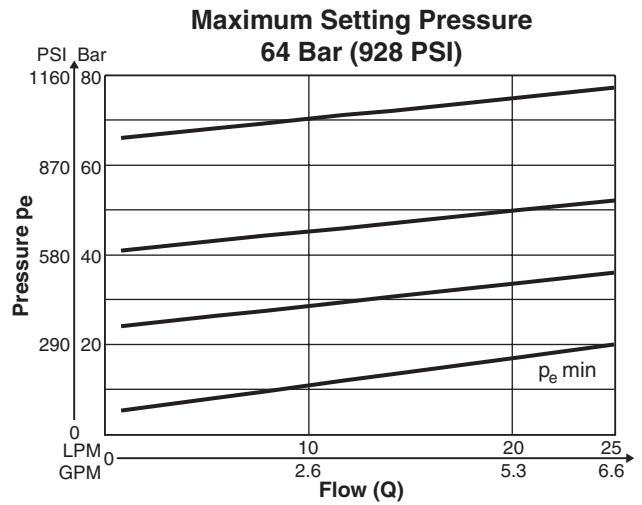
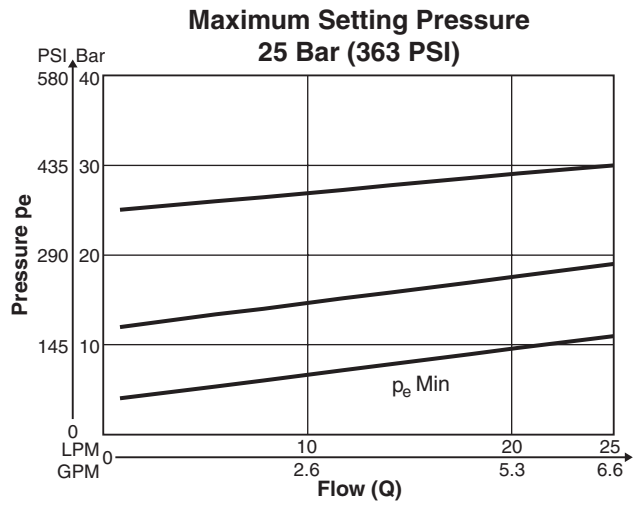
**Features**

- Spool type valve.
- Manifold mounting.
- 5 pressure ranges.
- 2 adjustment modes.

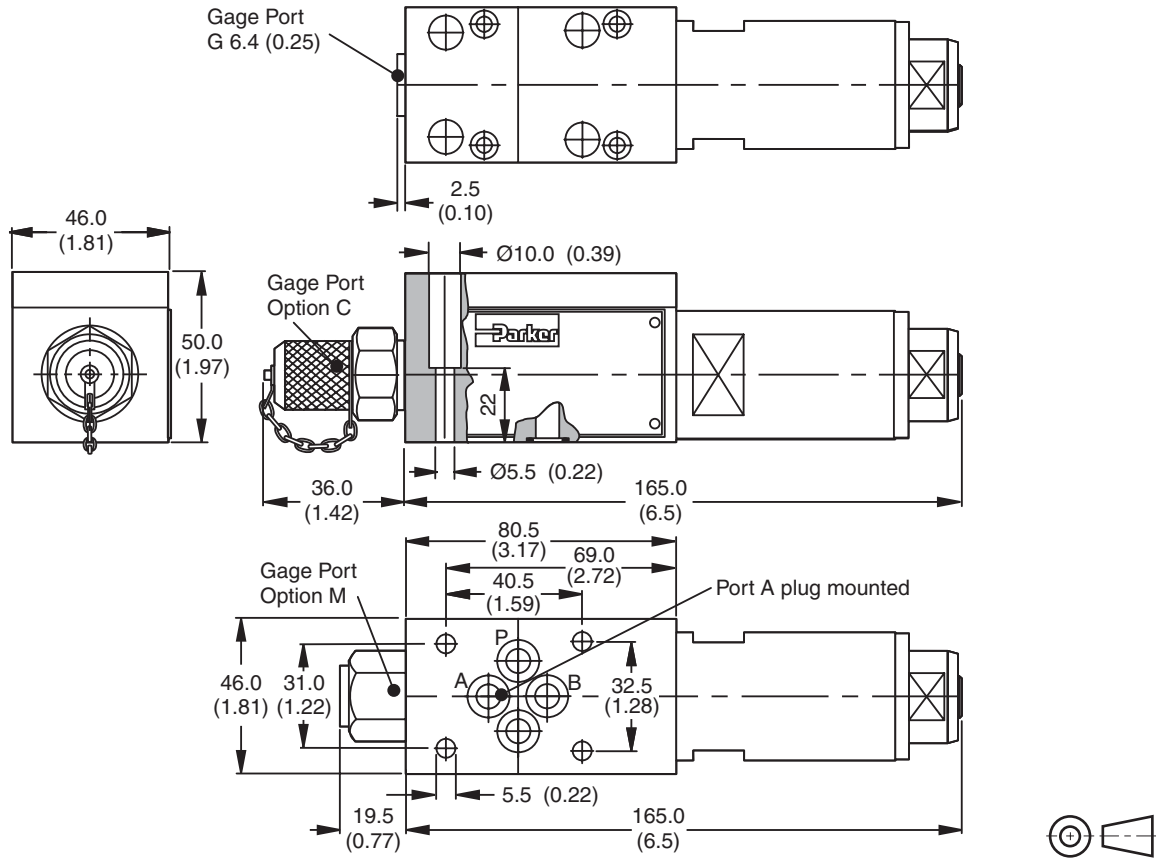
**Ordering Information**

<div style="border: 1px solid black; padding: 2px; width: 30px; height: 30px; display: flex; align-items: center; justify-content: center; margin: 0 auto;">VS</div> <p>Pressure Relief Valve</p>	<div style="border: 1px solid black; width: 30px; height: 30px; margin: 0 auto;"></div> <p>Pressure Range</p>	<div style="border: 1px solid black; padding: 2px; width: 30px; height: 30px; display: flex; align-items: center; justify-content: center; margin: 0 auto;">A</div> <p>Adjustment Screw with Hexagon Socket</p>	<div style="border: 1px solid black; padding: 2px; width: 30px; height: 30px; display: flex; align-items: center; justify-content: center; margin: 0 auto;">06</div> <p>Size</p>	<div style="border: 1px solid black; padding: 2px; width: 30px; height: 30px; display: flex; align-items: center; justify-content: center; margin: 0 auto;">V</div> <p>Seal Fluorocarbon</p>	<div style="border: 1px solid black; width: 30px; height: 30px; margin: 0 auto;"></div> <p>Gage Port</p>	<div style="border: 1px solid black; width: 30px; height: 30px; margin: 0 auto;"></div> <p>Lock</p>	<div style="border: 1px dashed black; width: 30px; height: 30px; margin: 0 auto;"></div> <p>Design Series</p> <p>NOTE: Not required when ordering.</p>																												
<table border="1" style="width: 100%; border-collapse: collapse;"> <thead> <tr> <th style="width: 10%;">Code</th> <th style="width: 90%;">Description</th> </tr> </thead> <tbody> <tr> <td>025</td> <td>25 Bar (363 PSI)</td> </tr> <tr> <td>064</td> <td>64 Bar (928 PSI)</td> </tr> <tr> <td>160</td> <td>160 Bar (2320 PSI)</td> </tr> <tr> <td>210</td> <td>210 Bar (3045 PSI)</td> </tr> <tr> <td>350</td> <td>350 Bar (5075 PSI)</td> </tr> </tbody> </table>		Code	Description	025	25 Bar (363 PSI)	064	64 Bar (928 PSI)	160	160 Bar (2320 PSI)	210	210 Bar (3045 PSI)	350	350 Bar (5075 PSI)	<table border="1" style="width: 100%; border-collapse: collapse;"> <thead> <tr> <th style="width: 10%;">Code</th> <th style="width: 90%;">Description</th> </tr> </thead> <tbody> <tr> <td>06</td> <td>NFPA D03 / NG6</td> </tr> </tbody> </table>		Code	Description	06	NFPA D03 / NG6	<table border="1" style="width: 100%; border-collapse: collapse;"> <thead> <tr> <th style="width: 10%;">Code</th> <th style="width: 90%;">Description</th> </tr> </thead> <tbody> <tr> <td>Omit</td> <td>Normal</td> </tr> <tr> <td>Z</td> <td>Cylinder Lock</td> </tr> </tbody> </table>		Code	Description	Omit	Normal	Z	Cylinder Lock	<table border="1" style="width: 100%; border-collapse: collapse;"> <thead> <tr> <th style="width: 10%;">Code</th> <th style="width: 90%;">Description</th> </tr> </thead> <tbody> <tr> <td>G</td> <td>BSPP 1/4"</td> </tr> <tr> <td>M</td> <td>M 12x1.5</td> </tr> </tbody> </table>		Code	Description	G	BSPP 1/4"	M	M 12x1.5
Code	Description																																		
025	25 Bar (363 PSI)																																		
064	64 Bar (928 PSI)																																		
160	160 Bar (2320 PSI)																																		
210	210 Bar (3045 PSI)																																		
350	350 Bar (5075 PSI)																																		
Code	Description																																		
06	NFPA D03 / NG6																																		
Code	Description																																		
Omit	Normal																																		
Z	Cylinder Lock																																		
Code	Description																																		
G	BSPP 1/4"																																		
M	M 12x1.5																																		

**Weight:** 1.3 kg (2.9 lbs.)



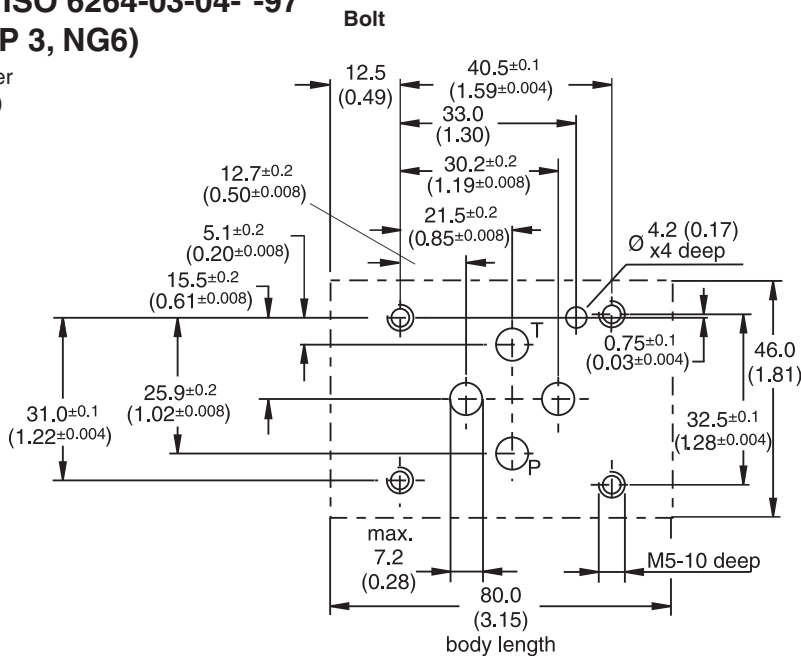
Inch equivalents for millimeter dimensions are shown in (\*\*)



<b>Surface Finish</b>	<b>Bolt kit</b> <b>DIN912 12.9</b>		<b>Seal Kit</b> <b>Fluorocarbon</b>
	M5x30-4pcs	8.1Nm (6.0 lb.-ft.)	SK-VB/VM/VS V

**Mounting Pattern ISO 6264-03-04-\*-97  
(NFPA D03, CETOP 3, NG6)**

Inch equivalents for millimeter dimensions are shown in (\*\*)



VS.indd, dd